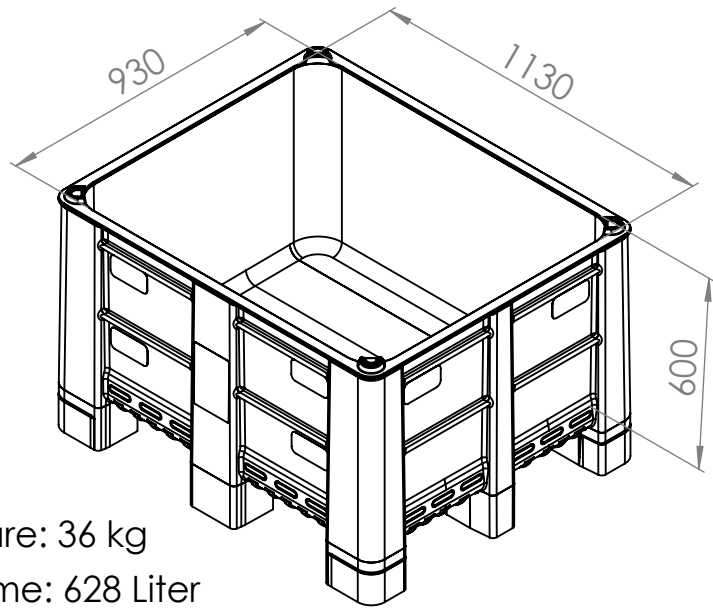
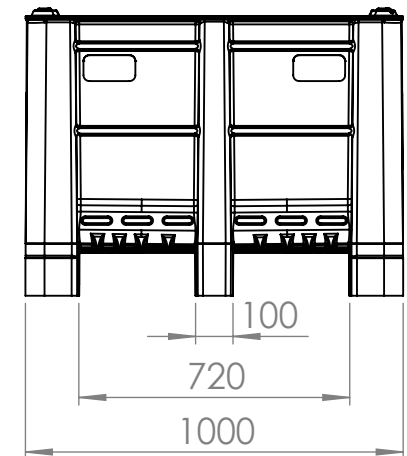
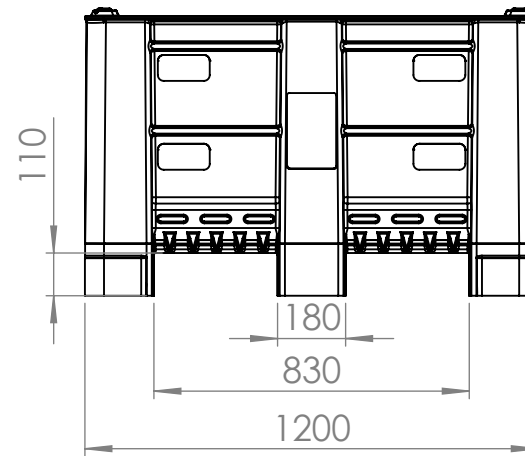




Dolav Type NEO1000 9 legs



tare: 36 kg
volume: 628 Liter



Superior handling &
storage solutions

Dolav plastic products cooperative society LTD
Kibbutz Dvir, M.P Hanegev 8533000, Israel

+972-72-2450-700 +972-8-9111700
dolav@dolav.com dolav.com

Catalogue No: 2200200000
Dimension Tolerance: 1%