



Data Sheet

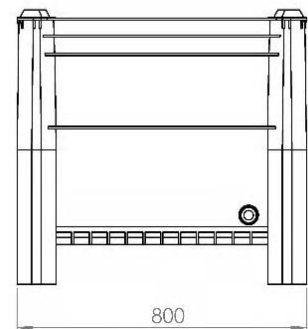
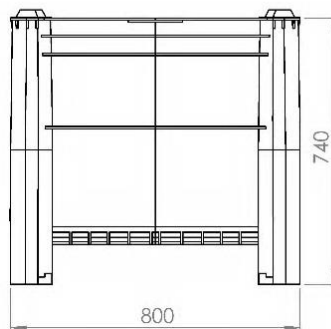
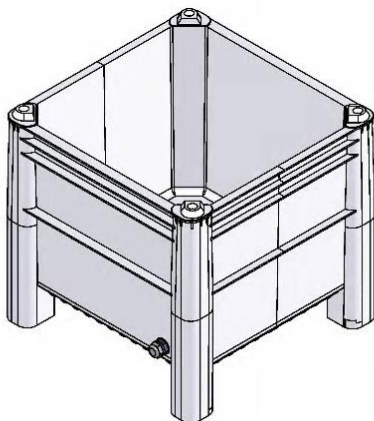
Spill Containment Pallet -1 vertical



Technical Data of Spill Containment Pallet- 1 vertical	
External Dim (mm)	800 x 800 x 740 Length Width Height
Volume (Lt)	310
Cat #: 10031001006	

All Dolav box pallets are manufactured by foam injection using high-density polyethylene (HDPE). The special technology results in box-pallets with unique high-impact strength, resistance to corrosion and UV stabilized. The HDPE material used by DOLAV in the production of its box pallets is inherently stable and the working temperature range is -40° to $+60^{\circ}$ C.

DOLAV® maintains a comprehensive Quality Assurance Program, as required by the Standards Institution of Israel and has earned the ISO 9001:2015 Certification. Comprehensive tests are conducted for Dolav products, by the laboratory, at least once every two years.



Superior handling & storage solutions

Dolav plastic products cooperative society LTD
Kibbutz Dvir, M.P Hanegev 8533000, Israel

+972-72-2450-700

+972-8-9111700

dolav@dolav.com

dolav.com