



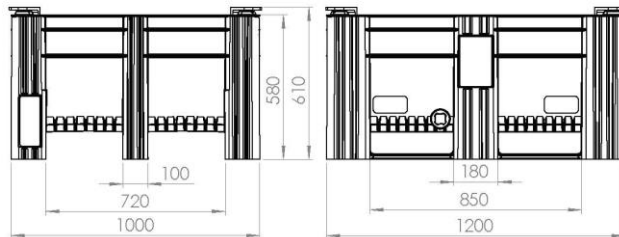
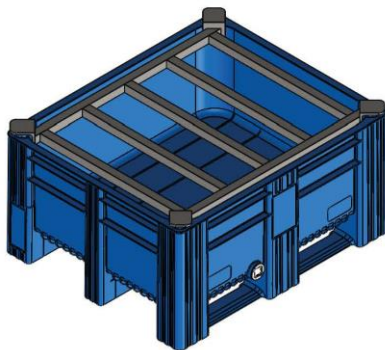
## Data Sheet

### Spill Containment Pallet -2 Barrels on a rail



Technical Data of Spill Containment Pallet- 2 Barrels on a rail	
External Dim (mm)	1200 x 1000 x 580 Length Width Height
Volume (Lt)	445
Cat #:53002062	

All Dolav box pallets are manufactured by foam injection using high-density polyethylene (HDPE). The special technology results in box-pallets with unique high-impact strength, resistance to corrosion and UV stabilized. The HDPE material used by DOLAV in the production of its box pallets is inherently stable and the working temperature range is  $-40^{\circ}$  to  $+60^{\circ}$  C.



DOLAV® maintains a comprehensive Quality Assurance Program, as required by the Standards Institution of Israel and has earned the ISO 9001:2015 Certification.

**Superior handling &  
storage solutions**

Dolav plastic products cooperative society LTD  
Kibbutz Dvir, M.P Hanegev 8533000, Israel

+972-72-2450-700

+972-8-9111700

dolav@dolav.com

dolav.com